



# USER GUIDE

# WPM-2U

## UHF Wireless Podium Microphone



**Offering the proven advantage and convenience of wireless operation, the WPM-2U wireless podium microphone is the most practical option in many podium, lectern and desktop conferencing applications.**

Thank you for choosing the Nady WPM-2U UHF wireless podium microphone, we know you will be very pleased with its performance and features. The WPM-2U was developed using the expertise of professional sound engineers. You will find your new UHF wireless podium microphone has superior performance and greater flexibility than any other podium microphone in its price range.

## Features

- Superior, clear audio for best possible communication
- Up to 200' ultra reliable reception range for utmost versatility and operating ease in any application—simplifies setup with no cumbersome cabling required between mic and amplifier
- Offering top performance indistinguishable from the best hard-wired podium microphones
- Ideal for desktop conferencing, with no clutter of cables, for the cleanest, simplest possible installation
- Up to six WPM-2U systems (all on different frequencies) can be operated simultaneously at the same time (up to 14 total if combining the UHF and WPM-1V VHF systems)
- For use with a UHF-3 receiver on the same frequency only (sold separately or a combined system or multi-channel systems)

## Controls

### (1) AUTO MUTE (POWER ON/OFF) SWITCH

This switch is used to turn the audio ON or OFF. Use as needed for easy control of the mic while operating with intermittent audio ON requirements during a continuous use application. This switch also turns the transmitter ON/OFF, but only if the MAIN POWER ON/OFF SWITCH is ON. For proper operation and audio on, both the MAIN POWER ON/OFF SWITCH and the AUTO MUTE (POWER ON/OFF) SWITCH must be in the ON position.

### (2) LED INDICATOR

This LED lights green when the unit is powered ON and the batteries are useable. When it turns orange it indicates the batteries are low and must be replaced.

### (3) MICROPHONE

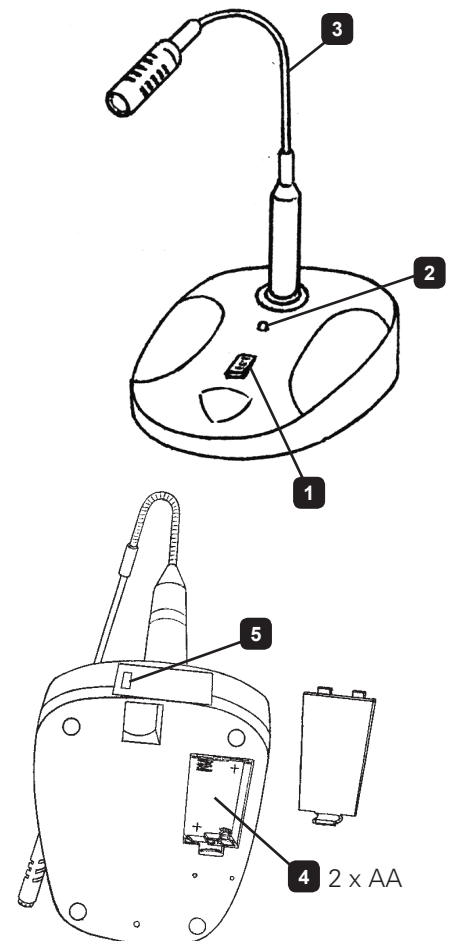
This unidirectional microphone is designed to pick up sound sources directly in front of it. It plugs into the base through the XLR connector. The base of the neck is adjustable and easy to bend in any direction. Speak into the mic from a distance of 6" to 12" for optimum performance. Also follow the instructions in the manual for the accompanying wireless receiver for proper setup of the audio signal from the receiver.

### (4) BATTERY COMPARTMENT

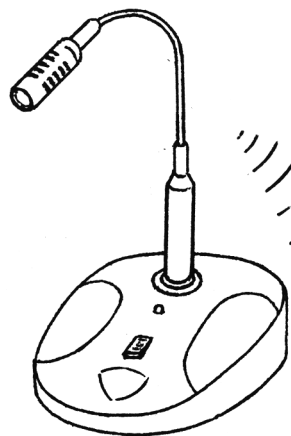
The unit is powered by two alkaline or rechargeable NiCad or NiMH AA (1.5V) batteries. Replace when the LED INDICATOR lights orange.

### (5) MAIN POWER ON/OFF SWITCH

This is the main power switch which turns the transmitter ON/OFF. It must be turned on first to power the unit. Always leave this in the OFF position when not using the unit.



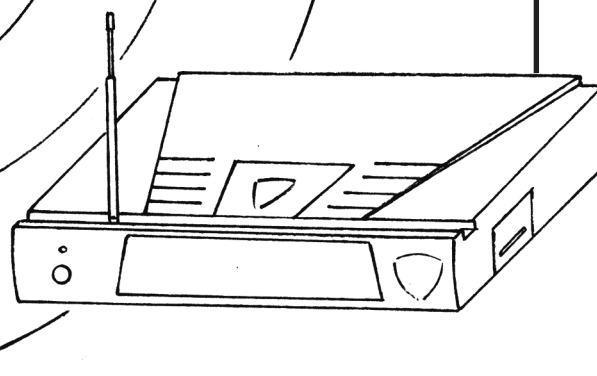
## Operation



Public Address System

OR

Desktop Conferencing System



- Easy operation, simplified setup—cord-free, ultra-reliable wireless podium mic operation for up to 200' ft with highest quality audio
- Choice of six standard frequencies between 470-510 MHz

## Specifications

**MICROPHONE:** Optimally matched Unidirectional Condenser Microphone with adjustable neck

**RF FREQUENCY:** UHF 470-510MHz, use with a Nady UHF-3 receiver on the same frequency

**FREQUENCY STABILITY:** +/-0.005%, crystal controlled

**MODULATION:** FM (F3E), +/-20kHz normal

**TONE SQUELCH:** 38.000 KHz

**RF OUTPUT:** 50mW (Maximum allowed by FCC)

**HARMONICS & SPURS:** <-60dBc

**OPERATION RANGE:** Up to 250ft, typical (depending on site condition); and up to 500+ feet optimum line-of-sight

**CONTROLS:** Power ON/OFF and Auto Mute

**LED INDICATOR:** Bi-color, Unit "ON" (green), Low Battery Alert (Orange)

**BATTERY:** 3V (two AA) Alkaline or Rechargeable (NiCad or NiMH)

**BATTERY DRAIN:** 120mA

**BATTERY LIFE:** 8-16 Hours, depending on duty cycle

**WEIGHT:** 1.5 lbs (include batteries and microphone)

## Service

**(U.S.)** Should your NADY WPM-2U product require service, please contact the Nady Service Department via telephone at (510) 652-2411 or e-mail at [service@nady.com](mailto:service@nady.com).

**(International)** For service, please contact the NADY distributor in your country through the dealer from whom you purchased this product.

**DO NOT ATTEMPT TO SERVICE THIS UNIT YOURSELF AS IT CAN BE DANGEROUS AND ALSO VOID THE WARRANTY**



6701 Shellmound Street | Emeryville, CA USA 94608  
T 510.652.2411 | F 510.652.5075 | [www.nady.com](http://www.nady.com)